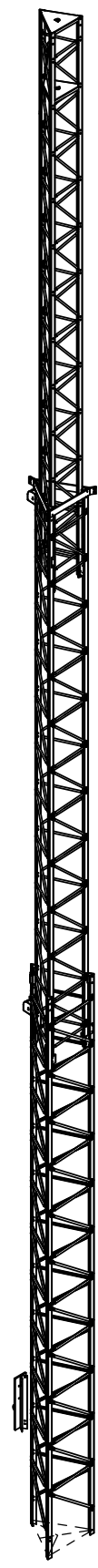


The information contained in this drawing is the sole property of Glen Martin Engineering, Inc. any reproduction in part or whole without the written permission of Glen Martin Engineering, Inc. is strickly prohibited.



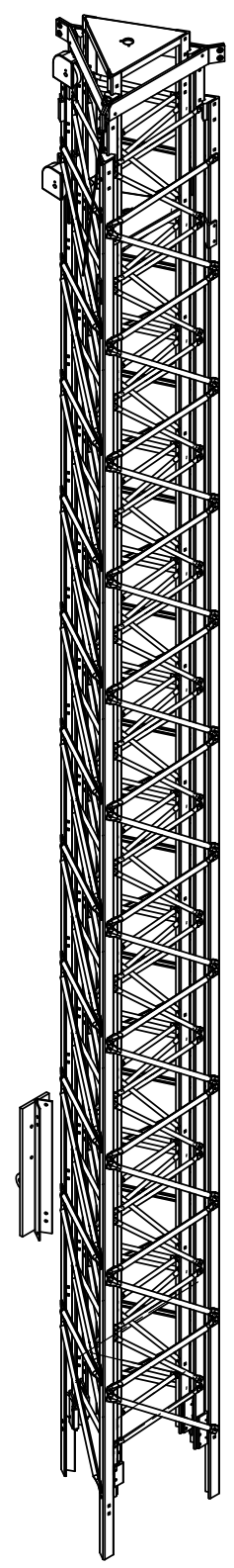
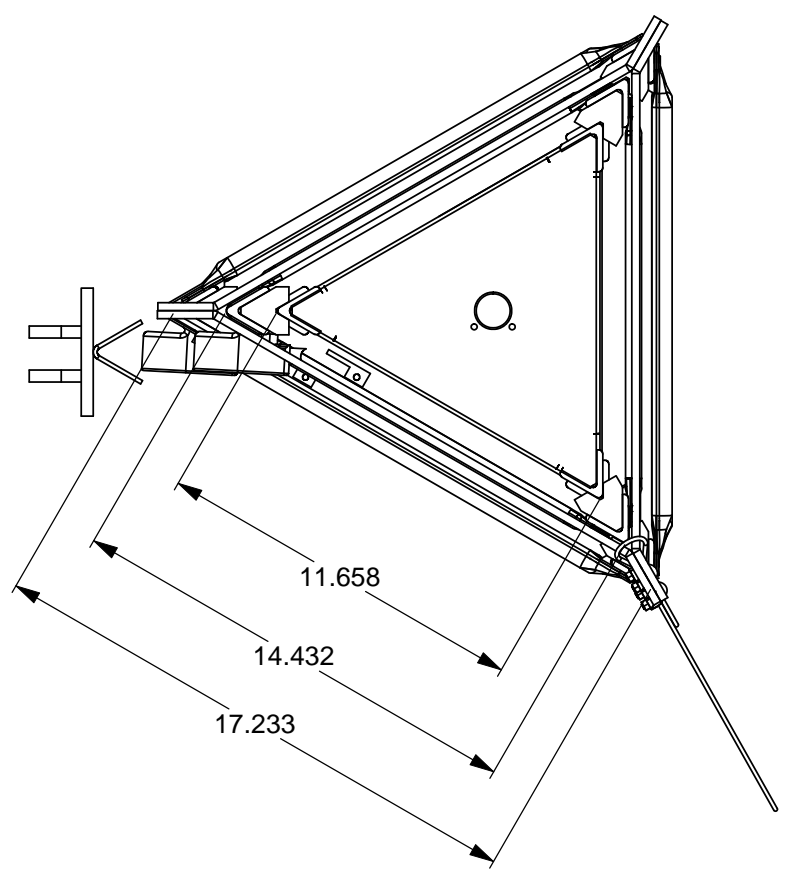
**General Notes:**

- 1) Main Tower Structure fastened with 1/4"-20 stainless steel carriage bolts grade 18-8 with nylon locking nuts
- 2) All additional fasteners are stainless steel grade 18-8

CAD GENERATED DRAWING, DO NOT MANUALLY UPDATE		UNLESS OTHERWISE SPECIFIED DIMENSIONS ARE IN INCHES TOLERANCES ARE: FRACTIONS DECIMALS ANGLES TMM .XX+ .05 + 1	 <b>GLENMARTIN</b> 13620 Old Hwy 40 Boonville, MO 65233 (660) 882-2734 Fax (660) 882-7200 <a href="http://www.glenmartin.com">www.glenmartin.com</a>
APPROVALS	DATE		
DRAWN <b>CJM</b>	1/01/99	MATERIAL <b>AL 6061</b>	<b>MT-1845 Extended View</b>
CHECKED		FINISH <b>Anodized</b>	
RESP ENG		Scale: <b>1:46</b>	DWG. NO.
MFG ENG		CAD FILE: <b>MT1845Completeextended</b>	QTY REQD
		SHEET <b>1</b> OF <b>5</b>	
		REV. <b>2</b>	


The information contained in this drawing is the sole property of Glen Martin Engineering, Inc. any reproduction in part or whole without the written permission of Glen Martin Engineering, Inc. is strickly prohibited.

TOP VIEW



General Notes:

- 1) Three 15' Aluminum Tower Sections
- 2) Galvanized Steel Hinge Base
- 3) Approximate Total Weight: 155 lbs
- 3) For Added Safety and Reliability  
Guying is Recommended

CAD GENERATED DRAWING, DO NOT MANUALLY UPDATE		UNLESS OTHERWISE SPECIFIED DIMENSIONS ARE IN INCHES TOLERANCES ARE: FRACTIONS DECIMALS ANGLES ±X .XX± .05 ±X	 <b>GLENMARTIN</b> 13620 Old Hwy 40 Boonville, MO 65233 (660) 882-2734 Fax (660) 882-7200 www.glenmartin.com
APPROVALS	DATE		
DRAWN <b>CJM</b>	11/01/98	MATERIAL <b>AL 6061</b>	<b>MT-1845 Telescoping Tower</b>
CHECKED <b>TMM</b>		FINISH <b>Anodized</b>	
RESP ENG <b>CJM</b>			DWG. NO.
MFG ENG			REV. <b>3</b>
		CAD FILE: <b>MT1845COMPLETE1</b>	QTY REQD
			SHEET <b>2</b> OF <b>5</b>