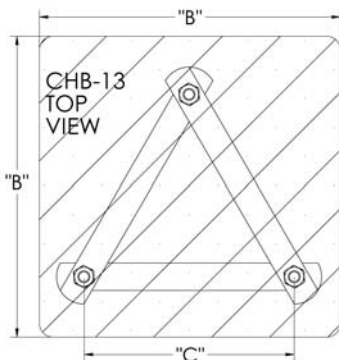
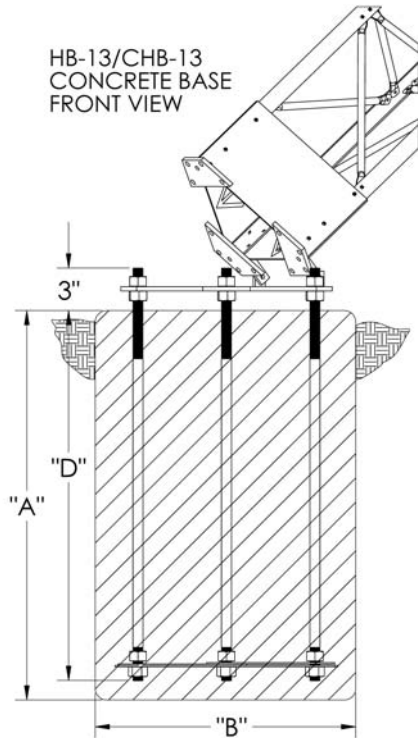


HB-13/18 CHB-13/18



CONCRETE FOOTING SECTION CHB-13 or CHB-18

1. Locate the tower site.
2. Dig the appropriate size hole (see chart)
3. Assemble section using the diagrams to the left.
4. Finish concrete with a slight crown to drain water, making sure:
 - a. Base section is plumb
 - b. Base section is indexed according to the proper position.
 - c. It is best to pour concrete against undisturbed soil and only use a 2x4 form on top of the ground to frame a square (see chart for dimensions).
5. The threaded studs should extend about three inches from the top of the concrete so that aluminum tower sections never come in contact with the concrete directly.
6. For added lightning protection, drive a rebar or ground rod deep into the soil at each of the three corners of the concrete footing section and wire tie them to each leg. This will also serve to support the fixed base at the right height above the ground while concrete is being poured.

HINGED BASE HB-13 or HB-18

1. Align holes in hinged base and tower leg with tapered punch, then enlarge holes in base and tower leg with a 5/16" drill bit and use 5/16x1" stainless bolts to fasten.
2. Thread one nut on each stud of concrete footing section and roughly see that they are level.
3. Slip main base over studs and secure with a lock washer and top nut on each stud. (Use a level across the top of the base and level with the corner nuts.)
4. Unfasten the hinge bolts and bolt sub-base to tower. (Dark painted end of tower fits into hinged base)

MODEL	"A"	"B"	Cu. Yds Concrete	"C"
M-13	45"	36"	1.25	15.5
M-18	6'-0"	40"	2.42	20.75
Alt. M-18	48"	48"	2.42	20.75

PARTS LIST - CHB-18/13	
QTY	Description
6	CHB-13 Template Strap Brace
3	7/8"-9 x 30" Anchor Bolt
15	7/8"-9 Heavy Hex Nut
Parts List HB-18/13	
12	7/16 X 3/4" SS hex bolt
12	7/16 SS Lock Washers
18	5/16 - 18 X 1" hex bolt
18	5/16 -18 lock nut
1	Instruction sheet

NOTES:

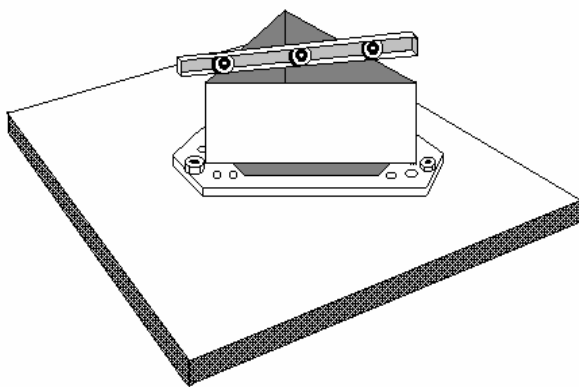
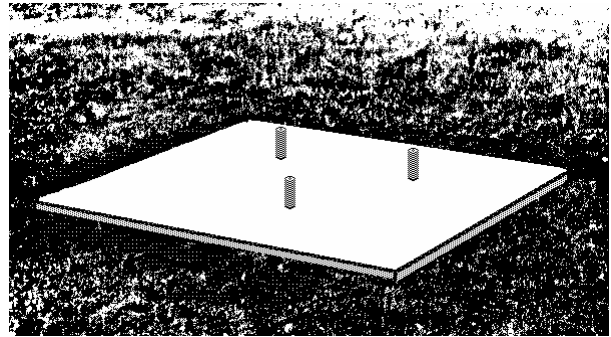
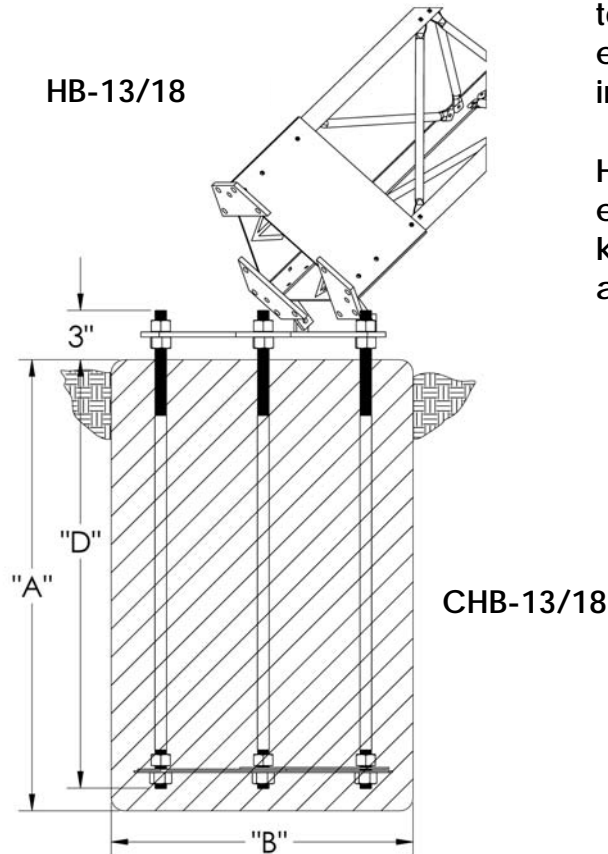
1. Concrete, 3000 psi Min. Ult. strength.
2. Foundations designed for 2000 psf soil.
3. It shall be installer's responsibility to provide structurally adequate supports for guy wire anchors.
4. It may be necessary to secure the service of a local engineer to determine that installation complies with local building codes.
5. Loosen hinge bolts before hinging.
6. All towers shall be properly guyed.
7. All tower installations should be grounded per local or national codes.

CHB-13/18 Footing Assembly



First assemble the CHB-13 or 18 concrete footing section. Then try the hinged base to make sure the main studs which will extend out of the concrete match the holes in the hinged base.

Hint: wrap the threaded studs with electrical tape when pouring concrete to keep them clean and remove the tape after the concrete is hard.



Once the concrete is poured, the hinged base can be leveled using a level across the top of the base as shown here.